

Ref. Code: AP038

Date: April 2016

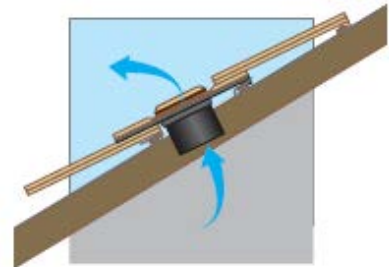


CV20K Low Profile Cowl Tile Vent

Product Description

Corovent Low Profile Cowl Vent provides discreet high or low level ventilation in tiled or slate roofs. It can be manufactured to fit in with existing tiles. The attached spigot allows passive ventilation. Inbuilt barriers prevent windblown rain and water ingress, channelling the water out onto the roof surface. Each vent unit is supplied with a felt sleeve (FW1).

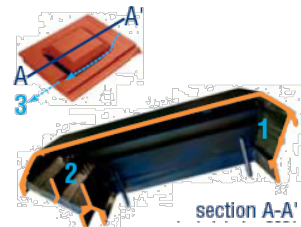
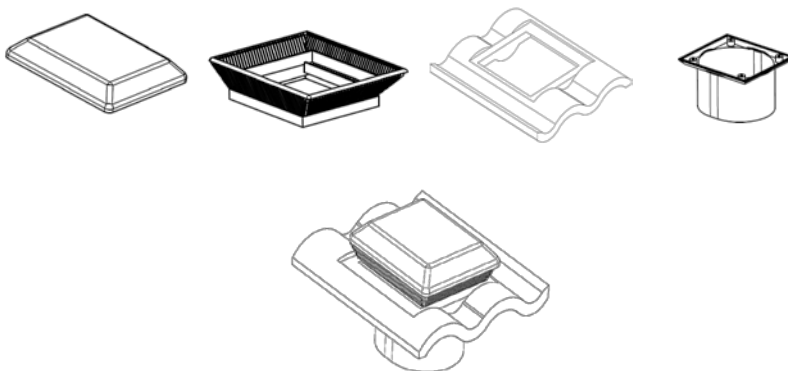
- Provides 20,000mm² of ventilation
- Incorporates barriers to prevent water ingress
- Can be made to suit a wide range of tiles and slates (please check for availability)
- Colour matching service available
- One felt sleeve (FW1) is supplied with each unit



Vent	Vent Area	Type of Roof	Spacing to give Continuous Ventilation		
CV20K	20,000mm ²	Slate or tile	5mm at 4M spacing	10mm at 2M spacing	25mm at 0.8M spacing

All vents subjected to 3 separate wind and rain penetration tests and a deluge test to simulate extremely harsh weather, based on conditions developed as part of a DoE Partners in Technology Programme as used by Building Research Establishment (BRE). All vents exceed the pass criteria under all conditions.

Product Requirements	CV20K
Ventilation Area	20,000mm ²
Minimum Roof Pitch	20° degrees



- 1 barrier prevents water ingress
- 2 barriers block wind driven rain
- 3 water drains away down slope

COWL DRAINAGE SYSTEM

Tile profile shown is for illustrative purposes only