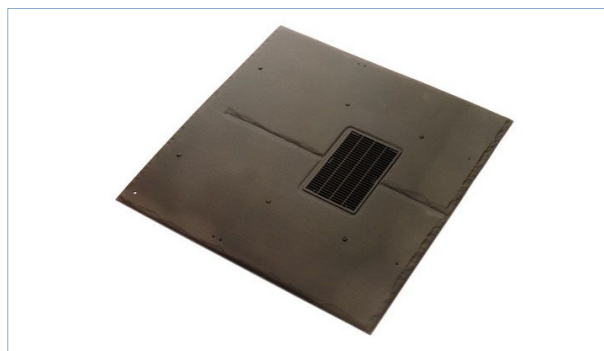


Ref. Code: AP035

Date: April 2016

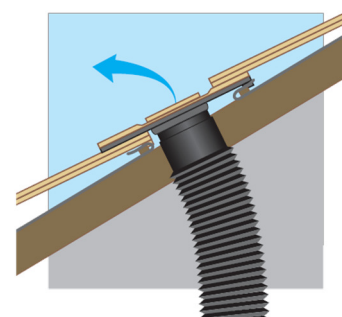


RP10K Roofline Slate Grille & Back-box Vent Complete with pipe adaptor

Product Description

Corovent Roofline Slate Vent provides discreet high or low level ventilation in a slate roof. It can be manufactured to fit in with the existing slates. The attached pipe adaptor provides a 110mm diameter connection to soil pipes or extractor fans. The inbuilt box below the vent, collects water and channels it back out onto the roof surface. Each vent unit is supplied with a felt sleeve (FW1).

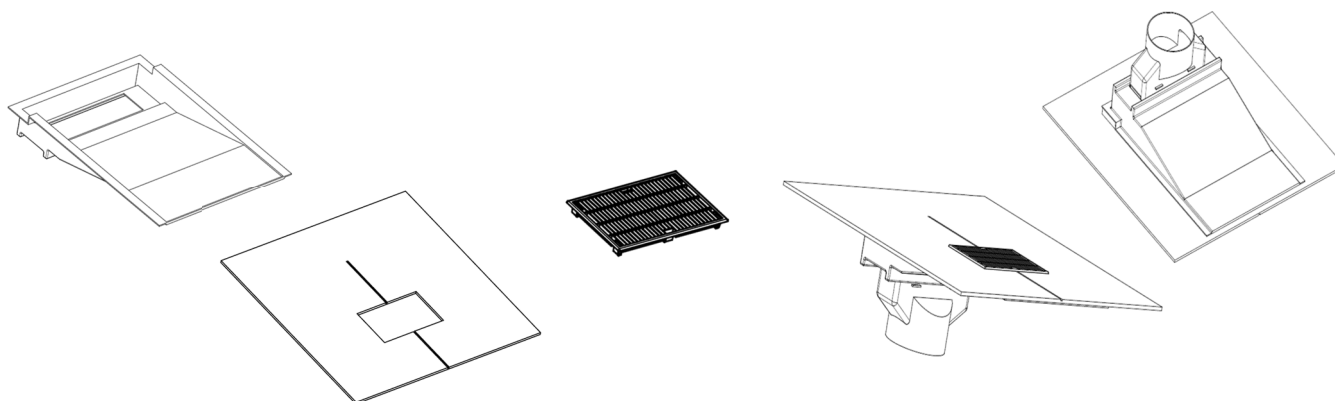
- Complete with pipe adaptor for 110mm dia. connection
- Incorporates barriers to prevent water ingress
- Provides 10,000mm² of ventilation
- Can be made to suit a range of slates (please check for availability)
- Colour matching service available
- One felt sleeve (FW1) is supplied with each unit



Vent	Vent Area	Type of Roof	Air Flow Resistance
RP10K	10,000mm ²	Slate	19.5 Pascal at 30 litres per second

All vents subjected to 3 separate wind and rain penetration tests and a deluge test to simulate extremely harsh weather, based on conditions developed as part of a DoE Partners in Technology Programme as used by Building Research Establishment (BRE). All vents exceed the pass criteria under all conditions.

Product Requirements	RP10K
Ventilation Area	10,000mm ²
Minimum Roof Pitch	20° degrees



Tile profile shown is for illustrative purposes only